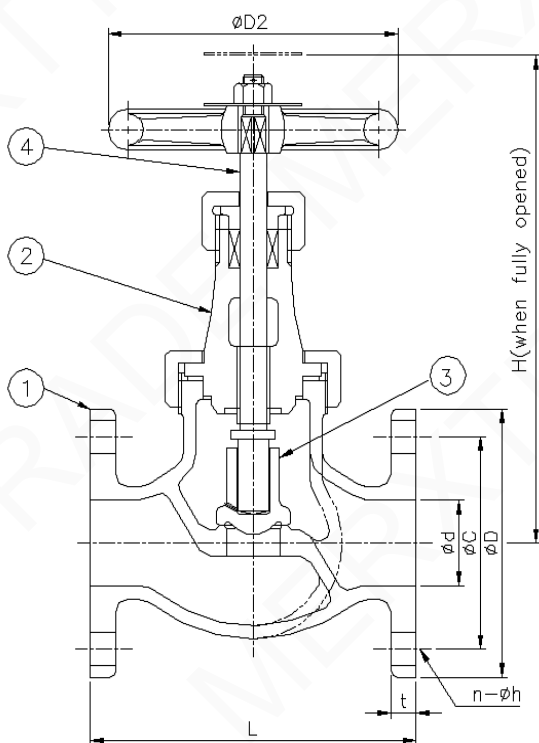


SERIES F 7413 - JIS 16K
Bronze Globe Check Valve
Union Bonnet

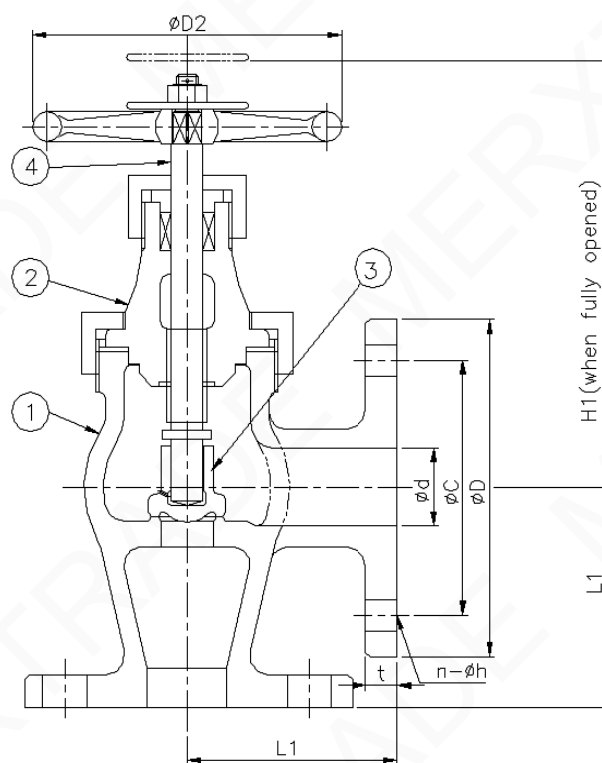
SERIES F 7414 - JIS 16K
Bronze Angle Check Valve
Union Bonnet

Manufactured in accordance to JIS F 7400

Flanges as per JIS B 2240 - 16K



SERIES F 7413 Globe Valve



SERIES F 7414 Angle Valve

Part No.	Material
1 - Body	Bronze
2 - Bonnet	Bronze
3 - Disc	Bronze
4 - Stem	Brass

Test Pressure MPa [Kgf/cm ²]	
Body	3.3 [33.0]
Seat	2.42 [24.2]

SIZE	d	L	L1	D	C	n-h	t	H	H1	D2	F7413 (Kg)	F7414 (Kg)
015	15	110	70	95	70	4-15	12	150	140	80	2.87	2.86
020	20	120	75	100	75	4-15	14	160	150	100	3.79	3.75
025	25	130	85	125	90	4-19	14	185	170	125	5.44	5.38
032	32	160	95	135	100	4-19	16	190	170	125	7.04	6.84
040	40	180	100	140	105	4-19	16	205	180	140	8.89	8.34